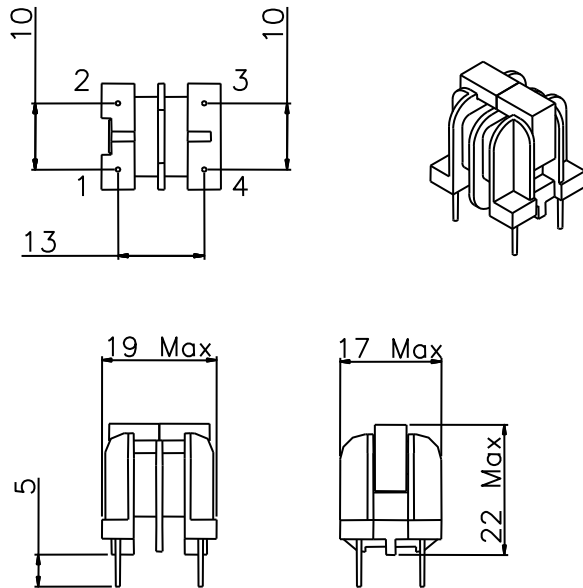


Type <b>C. M. CHOKES</b>	Size <b>UF10.5</b>	Current <b>0.30 to 1.9 A</b>	MYRRA P/N <b>74300 to 74306</b>
Product designation			

## COMMON MODE CHOKE - UF10.5

### MECHANICAL CHARACTERISTICS - PINOUT

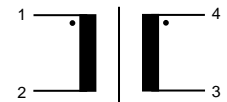


Terminals	
Pins	Ø 0.70 +/- 0.10 mm
PCB recommended drilling diameter	1.1 mm
Pins length	5.0 +/- 0.5 mm
Missing pin	---
Tolerances	
General tolerance	+/- 0.5 mm
Pins pitch tolerance	+/- 0.3 mm
Pins row tolerance	+/- 0.3 mm

### ELECTRICAL CHARACTERISTICS - ENVIRONMENTAL

Typical use at ambient 70 °C

MYRRA P/N	Common mode inductance (+/- 25 %)	Rated current	Resistance (per winding) (DC - 25 °C)	Differential mode inductance (min.)	Resonance frequency (min)
<b>74306</b>	68.0 mH	0.30 A <sub>rms</sub>	4.0 Ω max.	530 µH	125 kHz
<b>74300</b>	44.5 mH	0.35 A <sub>rms</sub>	3.0 Ω max.	400 µH	170 kHz
<b>74301</b>	24.5 mH	0.45 A <sub>rms</sub>	1.7 Ω max.	240 µH	220 kHz
<b>74302</b>	13.5 mH	0.60 A <sub>rms</sub>	1.0 Ω max.	140 µH	320 kHz
<b>74303</b>	6.35 mH	0.90 A <sub>rms</sub>	0.43 Ω max.	65 µH	480 kHz
<b>74304</b>	2.95 mH	1.30 A <sub>rms</sub>	0.23 Ω max.	32 µH	740 kHz
<b>74305</b>	1.35 mH	1.90 A <sub>rms</sub>	0.10 Ω max.	14 µH	1000 kHz



Operating temperature - 40 / + 120 °C (including temperature rising)  
Storage temperature - 40 / + 85 °C

### SAFETY - APPROVALS

RoHS and REACH compliant  
UL94 V-0 materials  
Class B min. materials  
L1 / L2 :  
1.5 kV dielectric test

