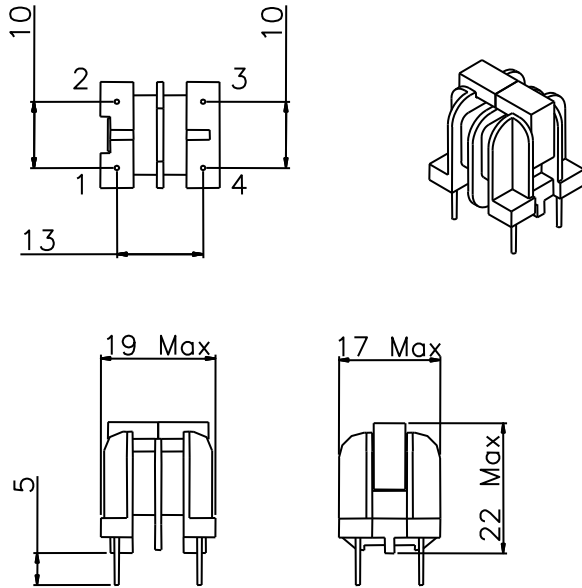


Type C. M. CHOKES	Size UF10.5	Current 0.30 to 1.9 A	MYRRA P/N 74300 to 74306
-----------------------------	-----------------------	---------------------------------	------------------------------------

Product designation

COMMON MODE CHOKE - UF10.5

MECHANICAL CHARACTERISTICS - PINOUT



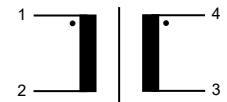
Terminals	
Pins	Ø 0.70 +/- 0.10 mm
PCB recommended drilling diameter	1.1 mm
Pins length	5.0 +/- 0.5 mm
Missing pin	---

Tolerances	
General tolerance	+/- 0.5 mm
Pins pitch tolerance	+/- 0.3 mm
Pins row tolerance	+/- 0.3 mm

ELECTRICAL CHARACTERISTICS - ENVIRONMENTAL

Typical use at ambient 70 °C

MYRRA P/N	Common mode inductance (+/- 25 %)	Rated current	Resistance (per winding) (DC - 25 °C)	Differential mode inductance (min.)	Resonance frequency (min)
74306	68.0 mH	0.30 A _{rms}	4.0 Ω max.	530 μH	125 kHz
74300	44.5 mH	0.35 A _{rms}	3.0 Ω max.	400 μH	170 kHz
74301	24.5 mH	0.45 A _{rms}	1.7 Ω max.	240 μH	220 kHz
74302	13.5 mH	0.60 A _{rms}	1.0 Ω max.	140 μH	320 kHz
74303	6.35 mH	0.90 A _{rms}	0.43 Ω max.	65 μH	480 kHz
74304	2.95 mH	1.30 A _{rms}	0.23 Ω max.	32 μH	740 kHz
74305	1.35 mH	1.90 A _{rms}	0.10 Ω max.	14 μH	1000 kHz



Operating temperature - 40 / + 120 °C (including temperature rising)
 Storage temperature - 40 / + 85 °C

SAFETY - APPROVALS

RoHS and REACH compliant
 UL94 V-0 materials
 Class B min. materials
 L1 / L2 :
 1.5 kV dielectric test

