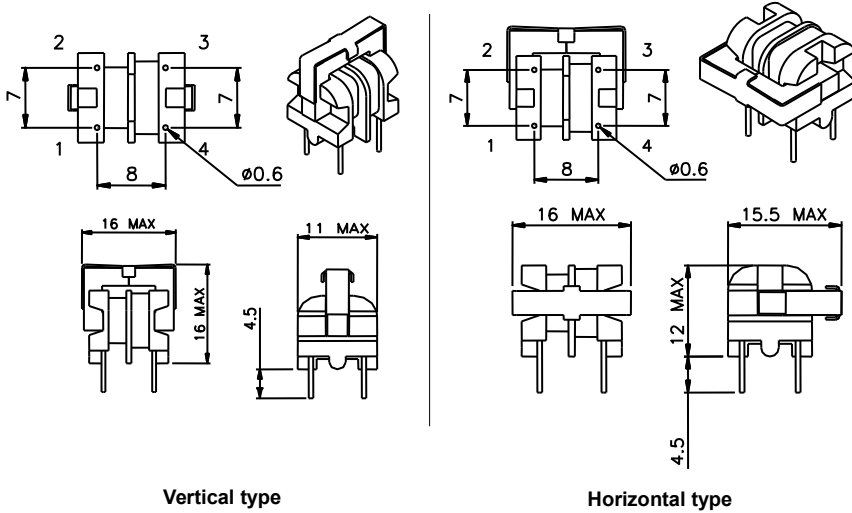


Type C. M. CHOKES	Size U9.8	Current 0.18 to 0.8 A	MYRRA P/N 74330 to 74339
Product designation			

COMMON MODE CHOKE - U9.8

MECHANICAL CHARACTERISTICS - PINOUT



Terminals	
Pins	Ø 0.60 +/- 0.10 mm
PCB recommended drilling diameter	1.0 mm
Pins length	4.5 +/- 0.5 mm
Missing pin	---
Tolerances	
General tolerance	+/- 0.5 mm
Pins pitch tolerance	+/- 0.3 mm
Pins row tolerance	+/- 0.3 mm

ELECTRICAL CHARACTERISTICS - ENVIRONMENTAL

Typical use at ambient 70 °C

MYRRA P/N		Common mode inductance (+/- 25 %)	Rated current	Resistance (per winding) (DC - 25 °C)	Differential mode inductance (min.)	Resonance frequency (min)
Vertical	Horizontal					
74330	74335	44.5 mH	0.18 A _{rms}	7.0 Ω max.	710 μH	210 kHz
74331	74336	24.5 mH	0.26 A _{rms}	3.5 Ω max.	360 μH	280 kHz
74332	74337	13.5 mH	0.35 A _{rms}	2.0 Ω max.	210 μH	400 kHz
74333	74338	6.3 mH	0.5 A _{rms}	0.95 Ω max.	100 μH	610 kHz
74334	74339	3.0 mH	0.8 A _{rms}	0.4 Ω max.	45 μH	910 kHz



Operating temperature - 40 / + 120 °C (including temperature rising)
Storage temperature - 40 / + 85 °C

SAFETY - APPROVALS

RoHS and REACH compliant
UL94 V-0 materials
Class B min. materials
L1 / L2 :
1.5 kV dielectric test

