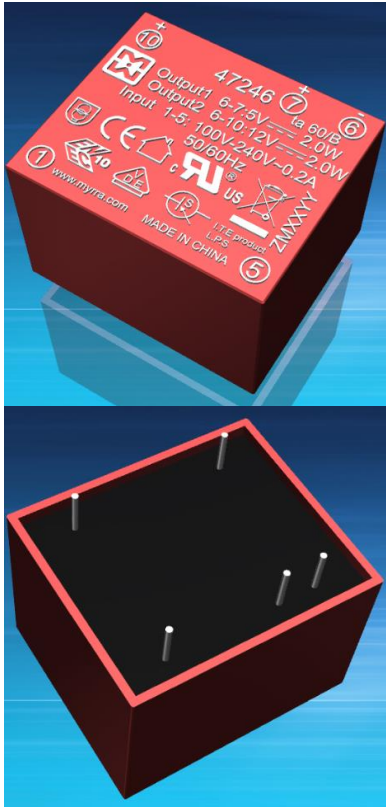


TWO COMMON OUTPUT 3W TO 5W - REGULATED



Power Supplies



MAIN FEATURES:

- 3W to 5W Small Compact Size - PCB Mount
- Two Common Outputs - Regulated
- Output Voltage Accuracy: see table for 15 To 100% Rated Load of Each Output (includes line and load variations)
- Input Range: 85VAC - 265VAC/47 - 63Hz or 120VDC - 370VDC
- Very Low Standby Power Consumption < 0.2W
- High Energetic Efficiency: Meets the requirements of Energy Star and the EC Code of Conduct
- Encapsulated Design and same footprint as EI30 Transformer:
- Upgrade your Application without redesigning the PCB
- Safety: Meets all requirements of IEC/EN61558-2-16, IEC/EN60335, IEC/EN62368, UL/CUL60950, CE, VDE, ENEC Mark
- Materials: Uses UL 94-VO Plastic and Resin
- EMC Conducted and Radiated Emission conform to EN55014, EN55032, CLASS B
- Immunity conforms to EN61000-3-2 CLASS A, EN61000-3-3, IEC61000-4-2, IEC61000-4-3, IEC61000-4-4, IEC61000-4-5, IEC61000-4-6, IEC61000-4-11

DATA SHEET



Reference	Output 1 Output 2 (DC Volts)	Output 1 Output 2 (DC mA)	Output Power (W)	Output 1 Output 2 accuracy	Efficiency (%)	Ta (°C)
47243	+10.5 +7	380 max 100 max	4.7	± 3% ± 15%	72	+50
47244	+15 +7	300 max 70 max	5	± 3% ±15%	73	+50
47243	+10.5 +7	315 max 100 max	4	± 3% ± 15%	72	+60
47244	+15 +7	234max 70 max	4	± 3% ±15%	73	+60
47245	+12 +5.5	130max 300 max	3.2	± 5% ±10%	65	+70
47246	+5 +12	400(600max) 170max	4	±3% ±15%	65	+60
47247	+15 -15	130max 130max	4	±8% ±8%	73	+60

NOTE : Other output voltage are available upon request

Please refer to MYRRA's website and catalogue for MYRRA SMPS application notes.

The information contained in this document is subject to change without notice.

www.myrra-powersupplies.com

TWO COMMON OUTPUT 3W TO 5W - REGULATED



Power Supplies

Model : Two Common Outputs 3 TO 5W		Specifications
AC Input Characteristics	Rated Input Voltage	100~240 VAC or 140VDC-340VDC
	Input Voltage Range	85~265VAC or 120VDC-370VDC
	Input Frequency Range	47Hz~63Hz
	Rated AC Input Frequency	50/60Hz
	Input Current	0.2A Max@85VAC~265VAC, at full load
	Standby Power	0.2W Max (meets the requirements of Energy Star and the EC Code Of Conduct)
DC Output Characteristics	Output Voltage Accuracy	See table @15 to 100% rated load of each output (includes line and load variations)
	Turn On Delay	2S max @ 85VAC~265VAC input and DC output with full load
	Efficiency	See table (meets the requirements of Energy Star and the EC Code Of Conduct)
Protection Characteristics	Over Current Protection	The power supply shall automatically protect. The power supply shall auto-recovery normal operation after the fault is removed. No excessive heat, odor, or plastic deformation shall occur, with no safety hazard
Protection Characteristics	Output Short Circuit Protection	The power supply shall withstand a continuous output short without damage for 24 hours. The short may be applied before power on, or after power on. The power supply shall resume normal operation after the short is removed, no excessive heat, odor, or plastic deformation shall occur, with no safety hazard
Environmental	Over Temperature Protection	The power supply shall shut down when the junction temperature of PWM controller exceeds the thermal shutdown temperature, typically 140°C \pm 10°C
	Operation Temperature	-25°C~ +Ta (see table)
	Operation Humidity	10~90% RH (non condensing) @ full load

Please refer to MYRRA's website and catalogue for MYRRA SMPS application notes.

The information contained in this document is subject to change without notice.

www.myrra-powersupplies.com

TWO COMMON OUTPUT 3W TO 5W - REGULATED



Power Supplies

	Storage Temperature	-10'C to +35'C
	Storage Humidity	< 75%RH
	Dielectric Strength	Primary to Secondary: 4000VAC 5mA, 3 sec. Output1 to output2: 4000VAC 5mA, 3sec
	Radiation	Meeting EN55032, EN55014, Class B. under 3dB margin
	Conduction	Meets EN55032, EN55014, Class B. under 3dB margin
Safety & EMC Requirement	Power Clamp Radiation	Meets EN55014-1:2006+A1:2009+A2:2011
	Lightning Surge	Meets IEC61000-4-5:2014, ± 1 KV <i>(Note: surge level can be extended to 6KV with an external circuit – please refer to Myrra's website and catalogue for MYRRA SMPS application notes)</i>
	Electrical fast Transient	Meets EN61000-4-4:2012, ± 1 KV
	Harmonic Current Disturbance	Meets EN61000-3-2:2014, Class A
	Safety Standards	Meets all requirements of UL/CUL60950 IEC/EN62368 IEC/EN60335 IEC/EN61558-2-16 CE, VDE, And ENEC Mark VDE Approval No. 40034334 UL Approval No. E345767
Reliability Requirement	MTBF	550K Hours Min. @230VAC input, 25deg.C <i>Calculated in accordance with MIL-HDBK-217-F2</i>
	Burn-in-Test	The unit shall be burned in for 2~5hours under 230VAC input and DC with full load at an ambient temperature of 30~45 degrees C
Net Weight	Approximately 30 grams per product unit	
Guarantee	This product is in accordance with the European RoHS & REACH directives	

Please refer to MYRRA's website and catalogue for MYRRA SMPS application notes.

The information contained in this document is subject to change without notice.

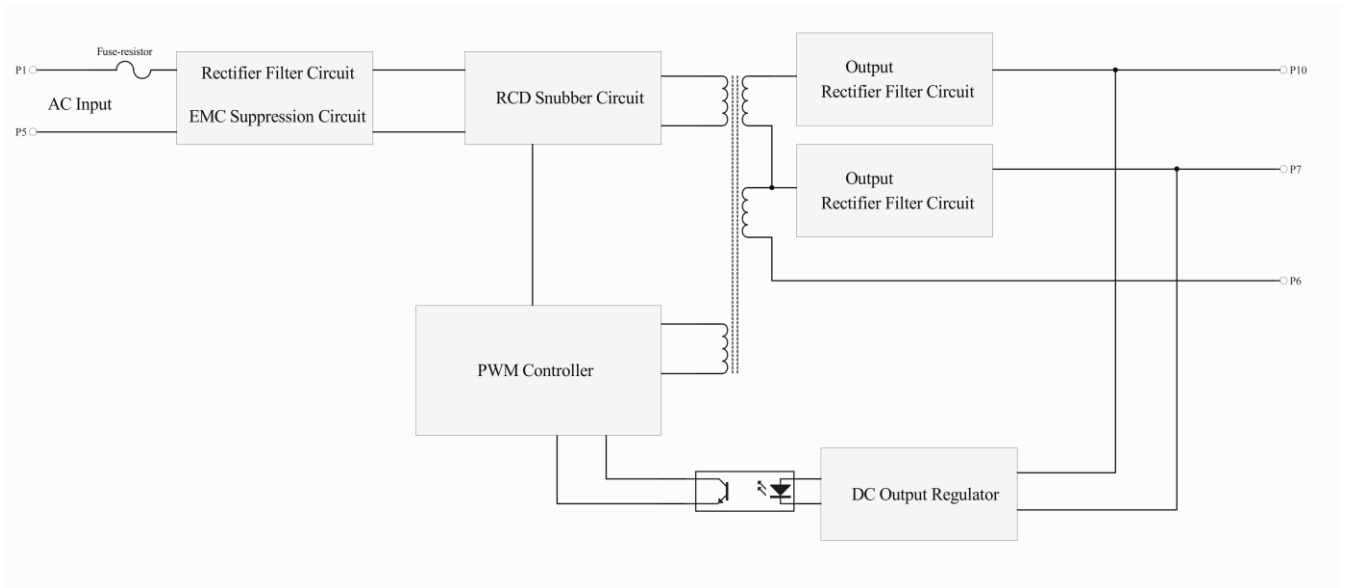
www.myrra-powersupplies.com

TWO COMMON OUTPUT 3W TO 5W - REGULATED



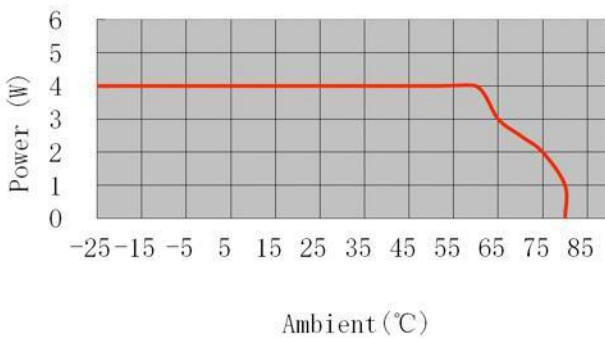
Power Supplies

SCHEMATIC

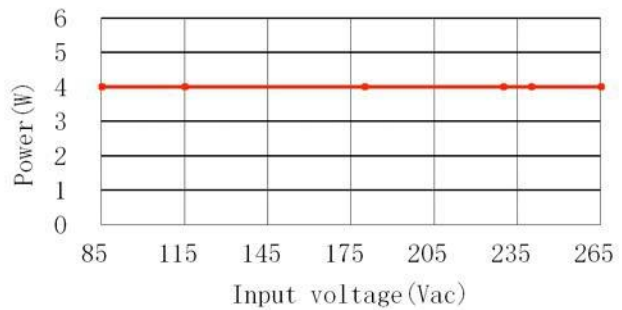


DERATING GRAPH (TYPICALLY 47246)

Power Derating Curve



Power Derating Curve



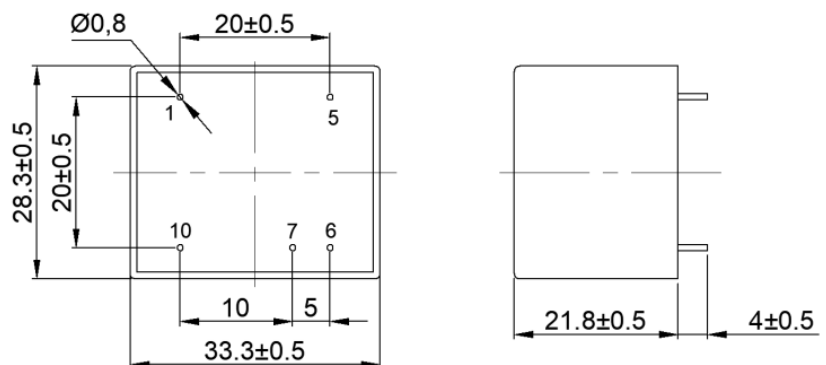
DIMENSIONS AND PINOUT

Pins 1&5 - AC or DC Input

Pin 6 - DC Output 1&2: 0V

Pin 7 - DC Output 1: +V

Pin 10 - DC Output 2 +V



View From Pins Side

Please refer to MYRRA's website and catalogue for MYF

The information contained in this document is subject to change without notice.

www.myrra-powersupplies.com