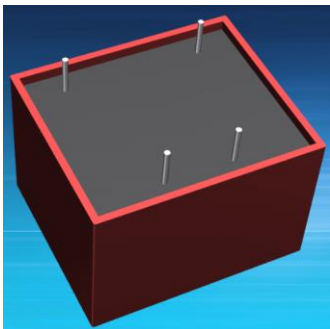


SINGLE OUTPUT 2.5W to 5W – Regulated



Power Supplies

2.5 TO 5W SERIES



MAIN FEATURES:

- 2.5 to 5W Small Compact Size - PCB Mount
- Single Output – Primary Side Regulated
- Output Range: 3.3VDC - 24VDC
- Input Range: 85VAC - 265VAC/47 - 63Hz or 120VDC - 370VDC
- Very Low Standby Power Consumption < 0.2W
- Better Energetic Efficiency: Meets Requirements of Energy Star and the EC Code of Conduct
- Encapsulated Design and the same footprint as an EI30 transformer. Upgrade your application without a PCB redesign
- Safety: IEC/EN61558-2-16, IEC/EN60950, IEC/EN60335, IEC/EN62368, UL/CUL60950, CE, VDE, ENEC Mark
- Materials: Uses UL 94-V0 Plastic and Resin
- EMC: Conducted and Radiated Emissions conform To EN55032, EN55014 CLASS B
- Immunity conforms to EN61000-3-2 CLASS A, EN61000-3-3, IEC61000-4-2, IEC61000-4-3, IEC61000-4-4, IEC61000-4-5, IEC61000-4-6, IEC61000-4-11



DATA SHEET

Part No	Power Rating Watts	Output Voltage (VDC)	Output Current (mA)	Ambient Temp. (°C)	Efficiency Typical	Input Range
47121	2.5	3.3	750	70	>65%@230VAC	85VAC-265VAC (120VDC-370VDC)
47122	2.75	5	550	70	>65%@230VAC	
47123	2.5	9	270	70	>68%@230VAC	
47124	2.5	12	210	70	>70%@230VAC	
47124SLI	2.5	12	210	70	>70%@230VAC	
47125	2.5	15	170	70	>73%@230VAC	
47126	2.5	24	110	70	>74%@230VAC	
47151	4.5	3.3	1350	50	>65%@230VAC	
47152	4.5	5	900	50	>68%@230VAC	
47153	5	9	550	50	>70%@230VAC	
47154	5	12	420	50	>73%@230VAC	
47155	5	15	320	50	>75%@230VAC	
47156	5	24	210	50	>76%@230VAC	
47157	4.5	3.8	1180	50	>66%@230VAC	

Note: Other output voltages are available upon request.

Please refer to MYRRA's website and catalogue for MYRRA SMPS application notes.

The information contained in this document is subject to change without notice.

www.myrra-powersupplies.com

SINGLE OUTPUT 2.5W to 5W – Regulated



Power Supplies

2.5 TO 5W SERIES

Model: 2.5 to 5 Watt		Specifications
AC Input Characteristics	Rated AC input Voltage	100~240Vac or 140VDC-340VDC
	AC Input Voltage Range	85~265Vac or 120VDC-370VDC
	AC Input Frequency Range	47Hz~63Hz
	Rated AC Input Frequency	50/60Hz
	Input Current	0.2A Max@85Vac~265Vac, at full load
	Standby Power	0.2W Max (Meets the requirements of Energy Star and the EC Code Of Conduct)
DC Output Characteristics	Output Voltage Accuracy	± 2 %
	Output Voltage Line Regulation	± 0.5 %
	Output Voltage Load Regulation	± 2 %
	Ripple & Noise	Max 200mVp-p@ Rated AC input, at nominal line (The measuring will be terminated with a 47uF AL E-Cap and a 0.1uF Ceramic-Cap. An oscilloscope set at 20MHz bandwidth)
	Dynamic Response	The output voltage shall not exceed ±10% rated output voltage @ 50%←→100% Load change, 1A/μS , 1KHz 50% duty cycle
	Hold Up Time	5mS min@ 100Vac ~240Vac, DC output with full load
	Turn On Delay	2S max @ 85Vac~265Vac input and DC output with full load
	Rise Time	50ms max @ 85Vac~265Vac input and DC output with full load
	Overshoot	The output voltage shall not exceed +10% rated output voltage @ Power on and 85Vac~265Vac input, and DC with full load
	Undershoot	The output voltage shall not exceed -10% rated output voltage @ Power off and 85Vac~265Vac input and DC output with full load

Please refer to MYRRA's website and catalogue for MYRRA SMPS application notes.

The information contained in this document is subject to change without notice.

www.myrra-powersupplies.com

SINGLE OUTPUT 2.5W to 5W - Regulated



2.5 TO 5W SERIES

Power Supplies

	Efficiency	See table (Meets the requirements of Energy Star and the EC Code of Conduct)
Protection Characteristics	Over Current Protection	The power supply shall automatically protect against over current. The power supply shall auto-recover normal operation after the fault condition is removed. No excessive heat, odour, or plastic deformation shall occur with no safety hazard during the fault
	Output Short Circuit Protection	The power supply shall withstand a continuous output short without damage in 24 hours; The short may be applied before power on, or after power on; The power supply shall resume normal operation after the short is removed, no excessive heat, odour, or plastic deformation shall occur with no safety hazard
	Over Temperature Protection	The power supply shall shut down when the junction temperature of PWM controller exceeds the thermal shutdown temperature, typically 140°C±10°C.
Environmental	Operation Temperature	-25°C ~+ (see table)
	Operation Humidity	10~ 90% RH (Non condensing) @ full load
	Storage Temperature	-10°C to +35°C
	Storage Humidity	< 75%RH
	Cooling Method	Ordinary or thermostat
Safety & EMC Requirement	Dielectric Strength	Primary to Secondary: 4000Vac 5mA, 3 secs.
	Radiation	Meets EN55032,EN55014, Class B. under 3dB margin
	Conduction	Meets EN55032,EN55014,Class B. under 3dB margin
	Harmonic Current Disturbance	Meets EN61000-3-2:2014, Class A
	Voltage Fluctuation And Flicker	Meets EN61000-3-3:2013
	Electrostatic Discharge	Meets IEC61000-4-2:2008 Contact Discharge ±4KV,Air Discharge ±8KV
	RF Field Strength Susceptibility	Meets IEC61000-4-3:2006+A1:2007+A2:2010
	Electrical Fast Transient	Meets IEC61000-4-4:2012, ±1KV

SINGLE OUTPUT 2.5W to 5W - Regulated



Power Supplies

2.5 TO 5W SERIES

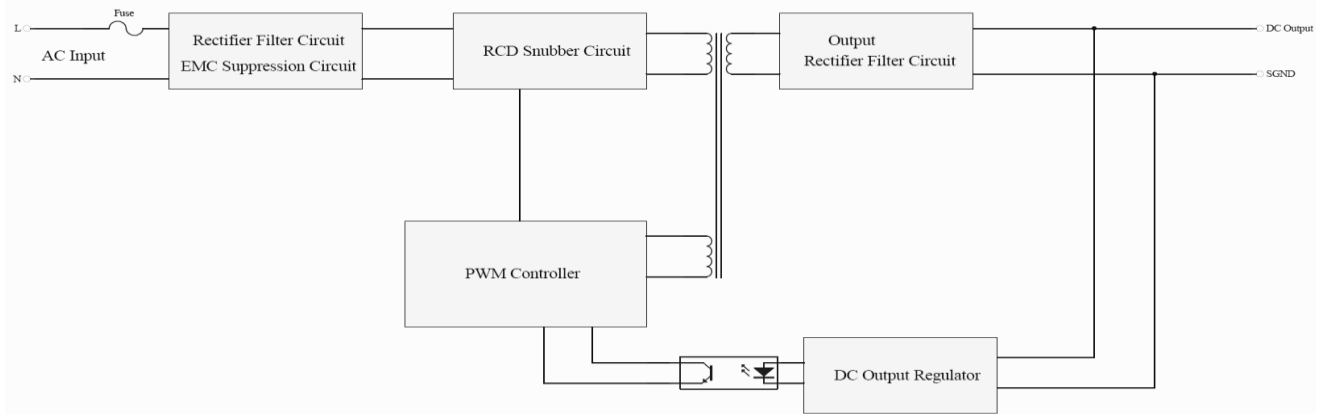
Safety & EMC Requirement	Lightning Surge	Meets IEC61000-4-5:2014,+1KV (line to line) <i>Note: surge level can be extended to 6KV with an external circuit – please refer to Myrra's website and catalogue for MYRRA SMPS application notes</i>
	Conducted Susceptibility	Meets IEC61000-4-6:2013
	Voltage Dips And Interruptions	Meets IEC61000-4-11:2004
	Safety Standards	Meets all requirements of: UL/CUL60950 UL/CUL62368 IEC/EN60950 IEC/EN60335 IEC/EN61558-2-16 IEC/EN62368 CE, VDE, ENEC Mark VDE Approval No.40034334 UL Approval No. E345767
Reliability Requirement	MTBF	>200K Hours @230VAC input at max operation temperature; >550K Hours @230VAC input at 25deg.C <i>Calculated in accordance with MIL-HDBK-217-F2</i>
	Burn-In Test	The unit shall be burned in for 2~ 5hours under 230Vac input and DC with full load at an ambient temperature of 30~45 degrees C
Net Weight	Approximately 30 grams per product unit	
Guarantee	This product is in accordance with the European RoHS & REACH directives	

SINGLE OUTPUT 2.5 W to 5W - Regulated

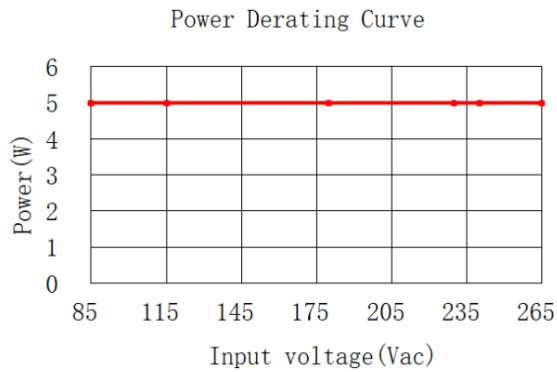
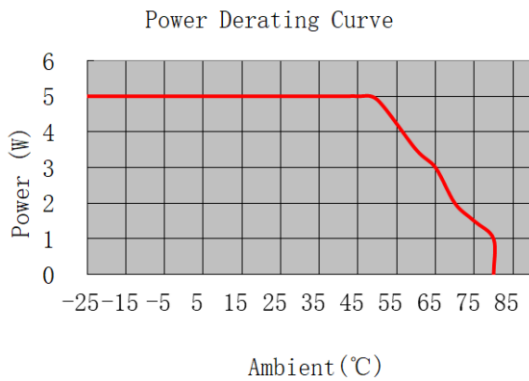


Power Supplies

SCHEMATIC



DERATING GRAPH (TYPICALLY 47154)

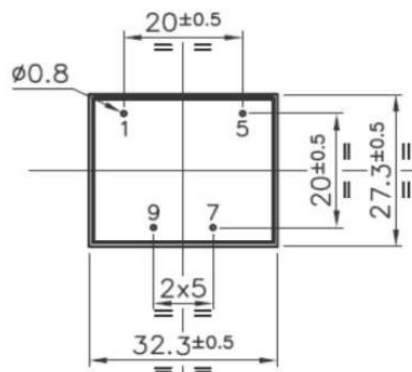


DIMENSIONS AND PINOUT 4 PINS

Pins 1 to 5 - AC or DC Input

Pin 7 - DC Output: +V

Pin 9 - DC Output: 0V



(view from pins side):

